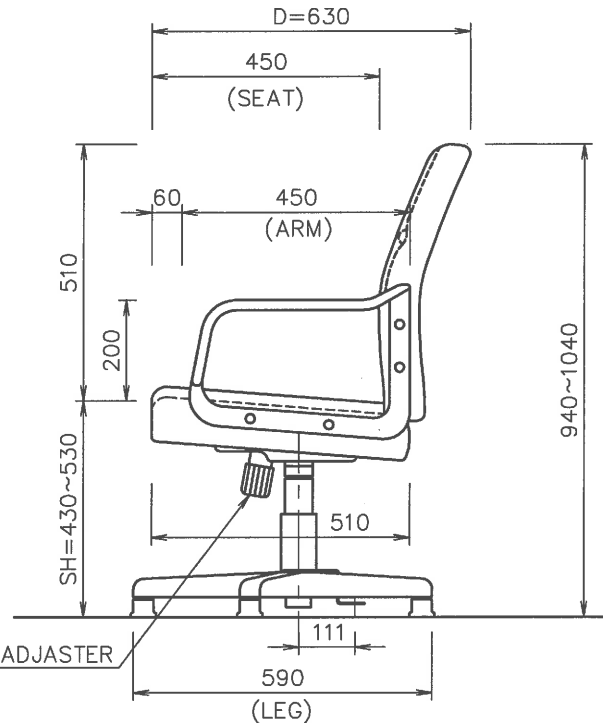
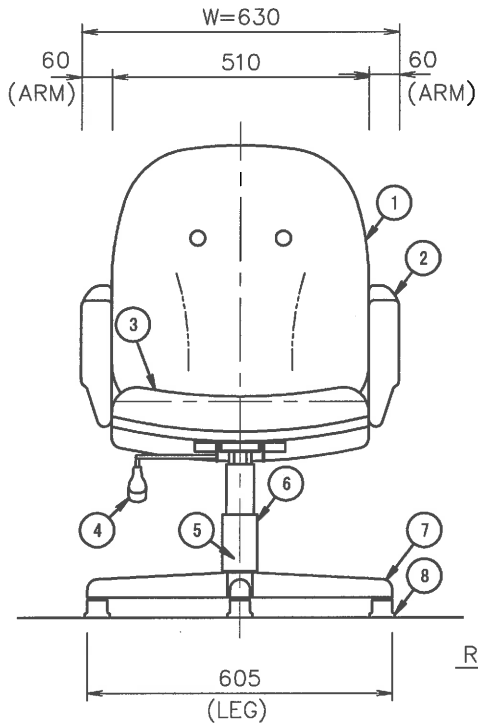
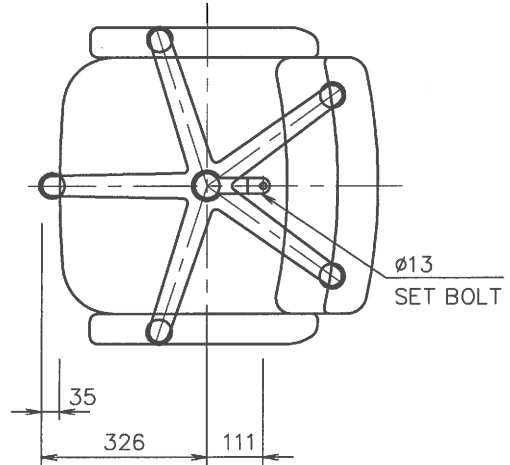


# REV,ARM CHAIR ( 506RMG )

TITLE.



③	SEAT	FRONT COVER ; VINYL LEATHER (DARK BROWN COLOR)	⑧	TIPS	PLASTIC & STEEL
		LINING ;BLACK COLOR		⑦	LEG
②	ARM REST	PLASTIC (BLACK COLOR)	⑥	SHAFT COVER	PLASTIC (BLACK COLOR)
①	BACK REST	FRONT COVER ; VINYL LEATHER (DARK BROWN COLOR)	⑤	SHAFT (GAS CYLINDER SYSTEM)	STAINLESS STEEL
		BACK COVER ; VINYL LEATHER (DARK BROWN COLOR)	④	HANDLE (GAS CYLINDER SYSTEM)	PLASTIC & STEEL
MARK	NAME	MATERIAL	MARK	NAME	MATERIAL